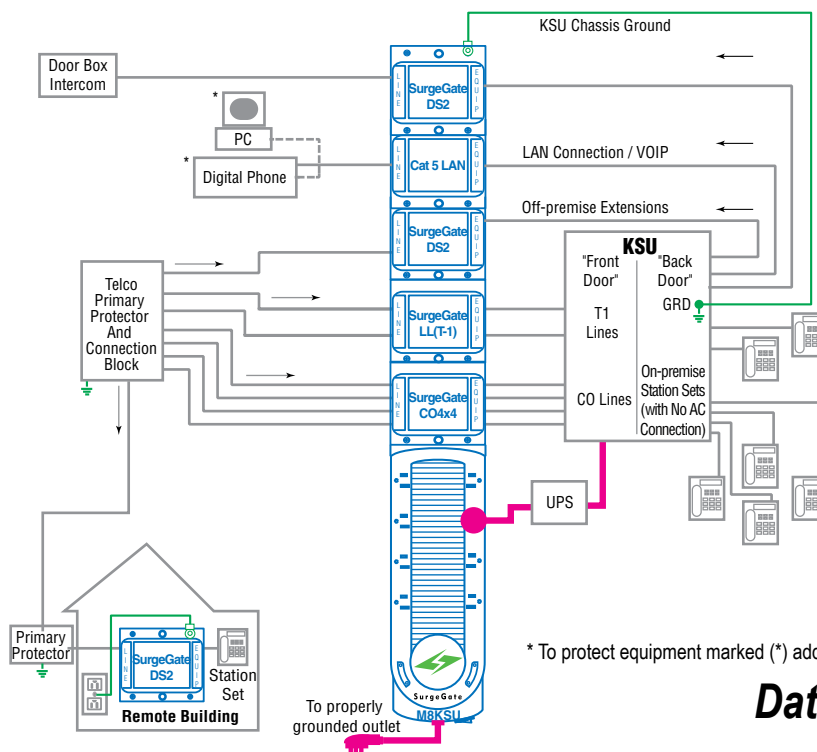
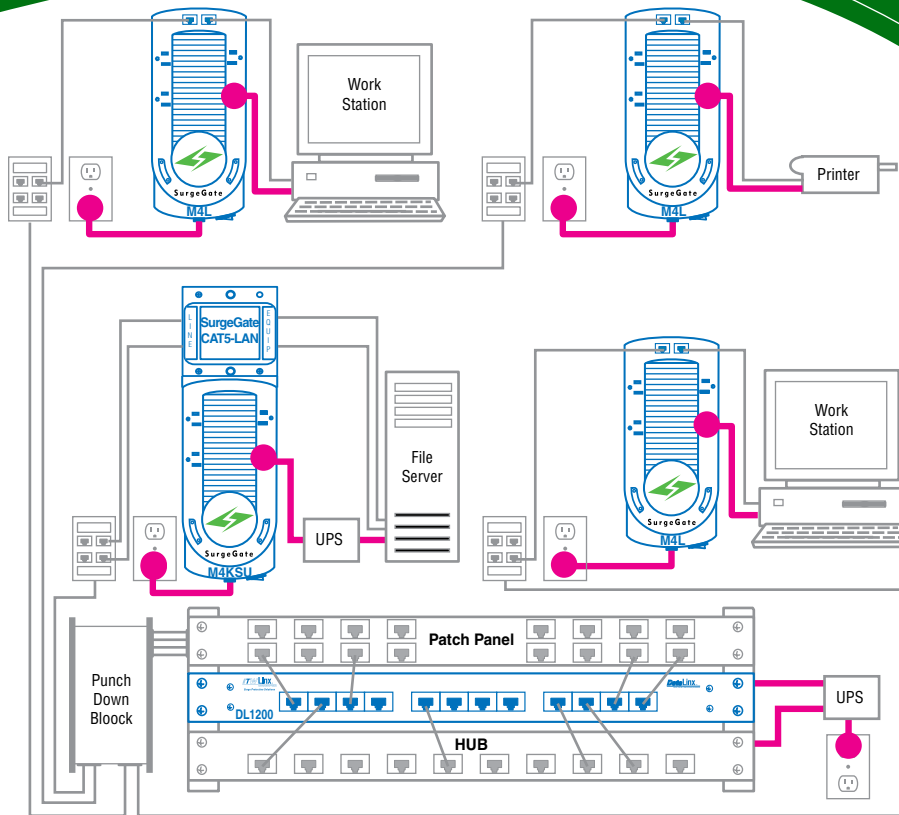


DataLinx™

Cat 5 / Cat 5e / Cat 6 Primary Protection

BUBBLE OF PROTECTION



* To protect equipment marked (*) additional protectors are required.

DataLinx Series